

YOU CREATE

USER-FRIENDLY

The touch-screen display is intuitive with inspired navigation menus to the smartphone APPs.

- Quick menu:** choose three extraction profiles which can be accessed with a single touch.
- General menu:** all functions are easily reachable, even washing and technical assistance.



CUSTOMIZABLE PRESETS

Extraction profiles customizable and storable:

- 6 standard profiles** with optimal parameters presets
- 12 profiles completely customizable** by intervening in all 3 extraction phases, and with the ability to totally disable pre-infusion and post-infusion
- your **settable manual profiles directly from the Paddle**



YOU WORK

COMPLETE RELIABILITY FROM THE SANREMO GROUP

YOU

MADE FOR YOU BY SANREMO



CONSTANT STABILITY

Even after prolonged dispensing, thanks to the **electronic control of pressure and temperature**.

MULTI-BOILER

The boilers for both the coffee and the auxiliary services are made from **AISI 316 stainless steel**, and are **fully insulated** to improve yield and energy efficiency.



ENERGY EFFICIENCY

- Setting:
- Automatic:** allows the user to associate up to 6 daily time frames.
 - Manual:** allows the user to turn the machine or the individual boilers on and off manually.
- Two programmable modes:
- Stand-by:** low power consumption condition, compliant with the ErP Directive (2009/125/EC).
 - Eco:** keeps the machine on, but at a **reduced temperature** for quick start-up.

For both, the user can enable the **Energy Saving** function, which automatically turns the machine off after the set time.



SPEED AND ERGONOMICS

Start / Stop levers to activate water and steam with just one click.

Steam and water wands Cold Touch.



FRESH WATER

Instant freshly heated water for higher quality infusions.

Removable 2.5 litre tank with built-in level sensor. Compact tank size to **avoid prolonged water stay** and to improve the total quality of the final product.



FULL CONFIGURATION Equipped with **tank** and **water mains connection**.



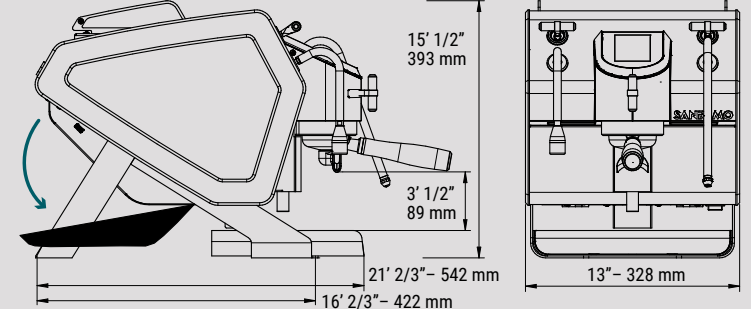
70 LITRE 24V VOLUMETRIC PUMP

Excellent stability during pressure/flow profiling, even when the intake pressure changes.

Body in AISI 316 stainless steel with electronic control and management with pressure transducer.

EASY SERVICE

The flap opening on the back allows for easy maintenance of the electronic components.



CONNECTIVITY

USB port for exporting extraction profiles in .csv format or importing new ones. Create your personal database and share it with whoever you want. The USB port also allows the user to import/export machine configuration parameters and perform updates.

WiFi module (*)

24V ELECTRONICS

The low voltage ensures excellent safety and built-in diagnostics.

TECHNICAL DATA

Version 1	220-240V	50/60 Hz	2.20 kW
Version 2	110-120V	50/60 Hz	1.80 kW
Version 3	100V	50/60 Hz	1.70 kW
Steam boiler capacity	1 lt		
Coffee boiler capacity	0.5 lt		
Coffee boiler resistance power	500 W		
Net weight	32 kg		

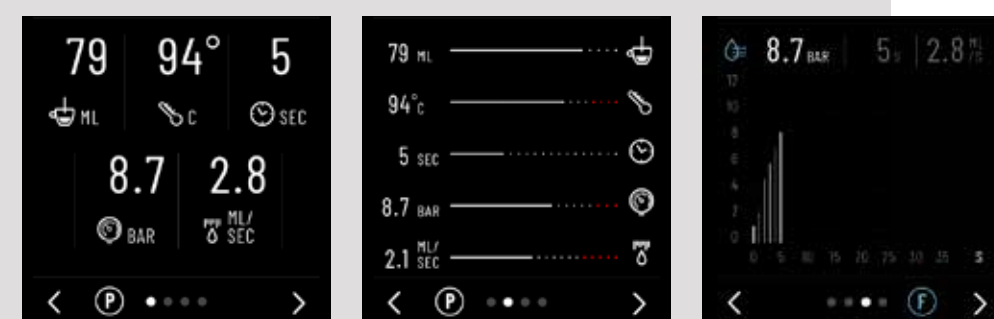
VERSIONS

Black	matt / glossy (frames)	RAL 9005
White	matt / glossy (frames)	RAL 9003
	legs and sides	RAL 8019
Custom Kit (*)	sides leather or wood	
	lever knobs and paddle lever wood	

(*) Flow mode, WiFi module and Custom Kit during the year 2022

YOU ARE IN CONTROL

- Take control by using the **Paddle to create or edit your extraction profiles** in both pressure and flow mode. (*)
- Monitor the **extraction process in real time** by viewing it on the display in three different modes (A/B/C).
- Memorise your favourite settings** to retrieve them whenever you want.



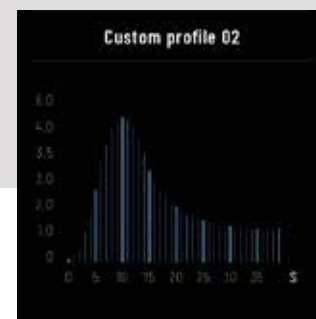
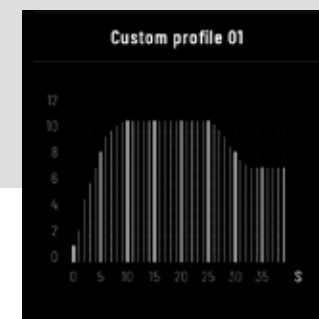
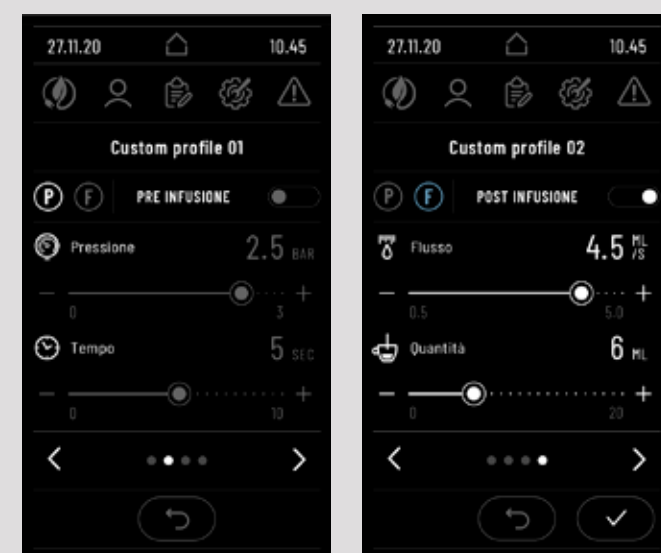
A. Real time display: **numeric priority**

B. Real time display: **progress bar priority**

C. Real time display: **graphic priority**

2 EXTRACTION MODE

Set your extraction profiles in **Pressure** or **Flow mode**. (*)



ELECTRONIC PADDLE

- Manually create your profiles in both extraction modes.
- Configure the Paddle (right/left) based on your gestures.

"ON THE FLY" function to correct the flow/pressure parameters in real time during your extraction process.

